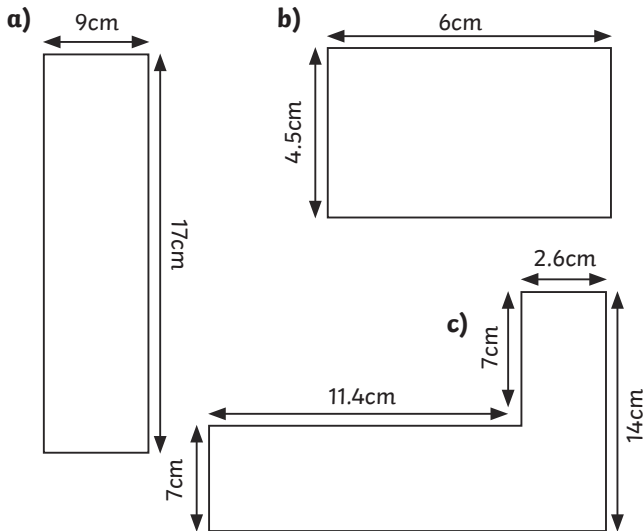
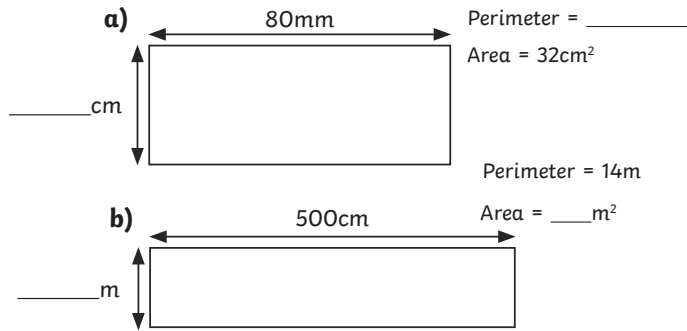


- 1) Calculate the area and perimeter of the following rectilinear shapes (not to scale).

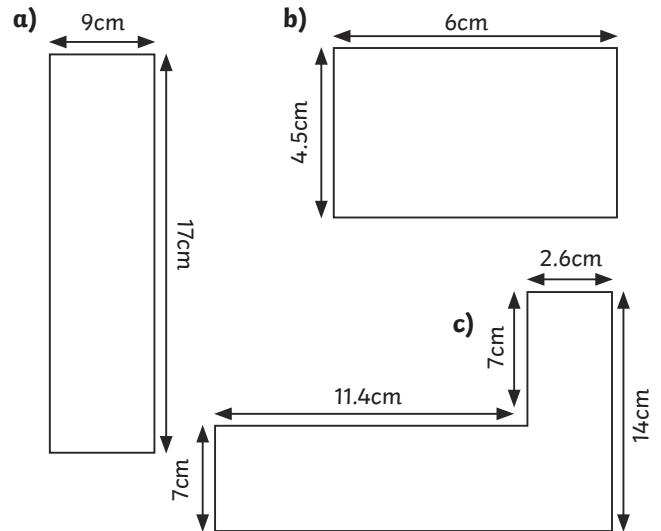


- 2) Give the missing values for each shape.

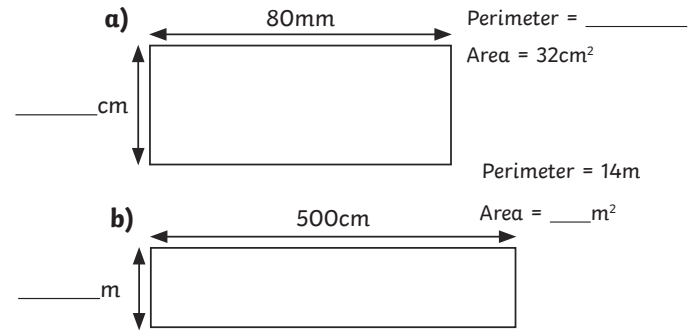


twinkl.com

- 1) Calculate the area and perimeter of the following rectilinear shapes (not to scale).



- 2) Give the missing values for each shape.



twinkl.com

- 1) Investigate if Alice's and Oliver's statements are true or false by drawing example shapes for each.



Alice

I can draw two shapes that have an area of 4cm^2 but different perimeters.



Oliver

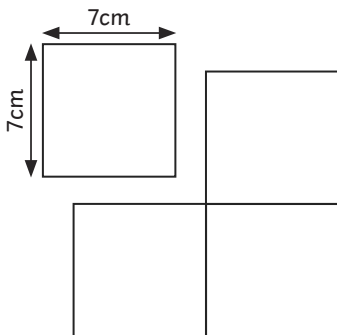
I can draw a shape with the same perimeter and the same area.

- 2) Three of these squares are made into a new shape.



Ben

I think that the new shape has an area and perimeter that is three times that of the original square.



- a) Do you agree with Ben's statement? What mistake do you think he has made?
b) Give the area and perimeter of the new shape.

twinkl.com

- 1) Investigate if Alice's and Oliver's statements are true or false by drawing example shapes for each.



Alice

I can draw two shapes that have an area of 4cm^2 but different perimeters.



Oliver

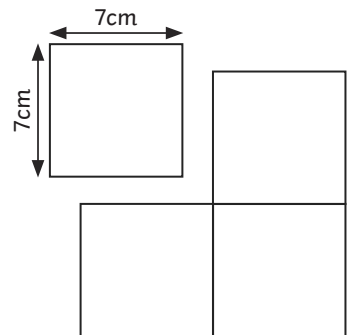
I can draw a shape with the same perimeter and the same area.

- 2) Three of these squares are made into a new shape.



Ben

I think that the new shape has an area and perimeter that is three times that of the original square.



- a) Do you agree with Ben's statement? What mistake do you think he has made?
b) Give the area and perimeter of the new shape.

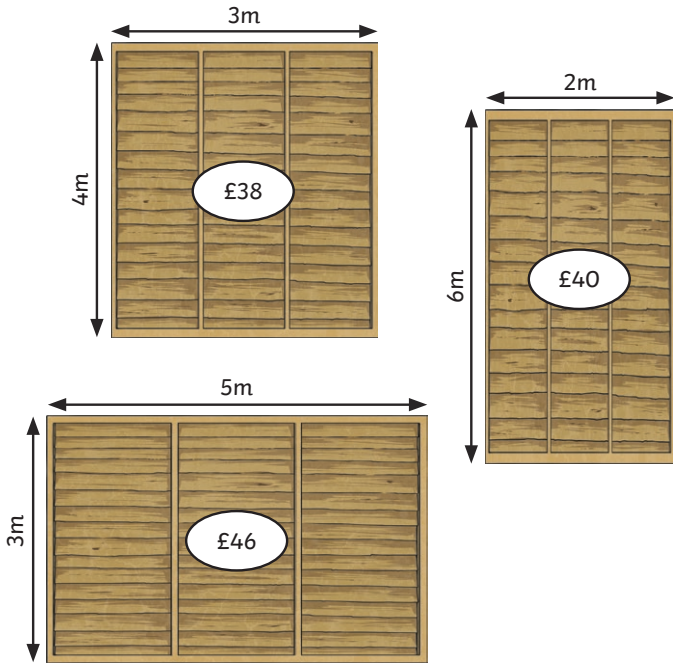
twinkl.com

- 1) A shop sells fence panels with a wooden frame going all the way round each panel. The price of each panel is based on the area of the panel and the length of the wooden frame around the panel.



Use the prices given to investigate how much the shop charges per square metre of the panel and per metre for the wooden frame.

- a) Each 1m^2 of fence panel costs:
b) 1 metre of wooden frame costs:



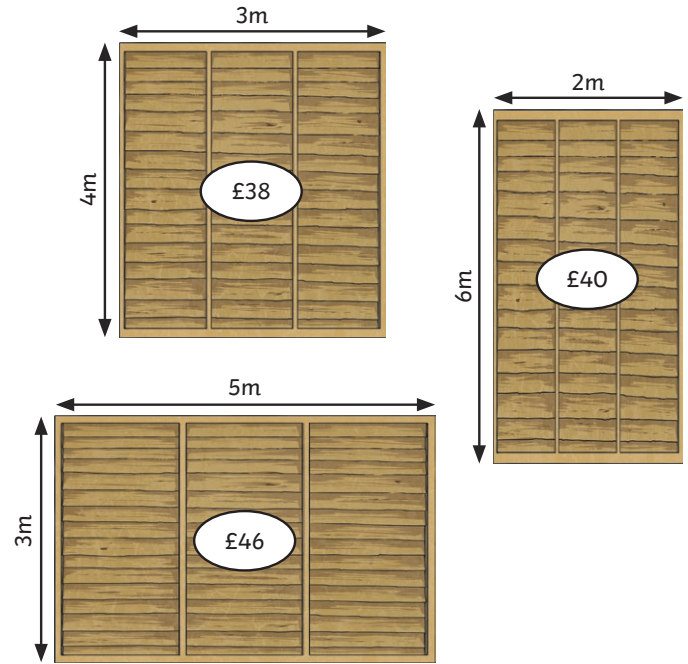
- 2) Give the size of rectilinear fence panel you could buy from the shop with the following amounts of money. (Remember the shop only sells fence panels which have sides measuring a **whole number** of metres.)
- a) £28
b) £30

- A shop sells fence panels with a wooden frame going all the way round each panel. The price of each panel is based on the area of the panel and the length of the wooden frame around the panel.



Use the prices given to investigate how much the shop charges per square metre of the panel and per metre for the wooden frame.

- a) Each 1m^2 of fence panel costs:
b) 1 metre of wooden frame costs:



- 1) Give the size of rectilinear fence panel you could buy from the shop with the following amounts of money. (Remember the shop only sells fence panels which have sides measuring a **whole number** of metres.)
- a) £28
b) £30