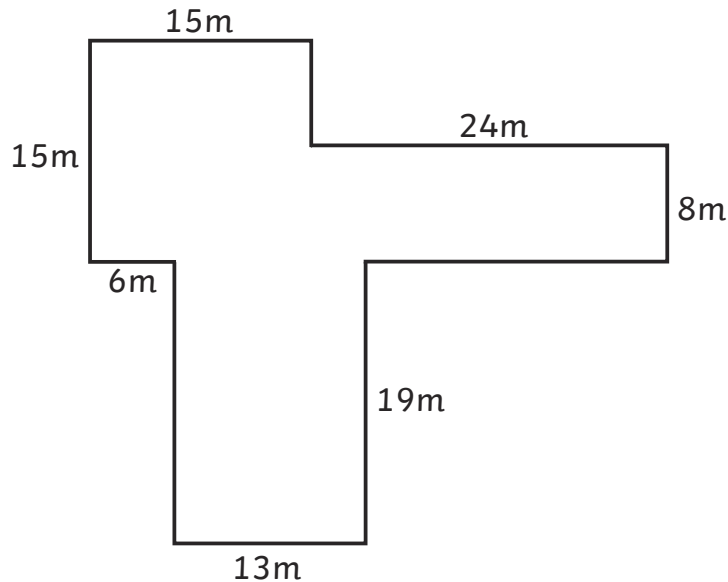
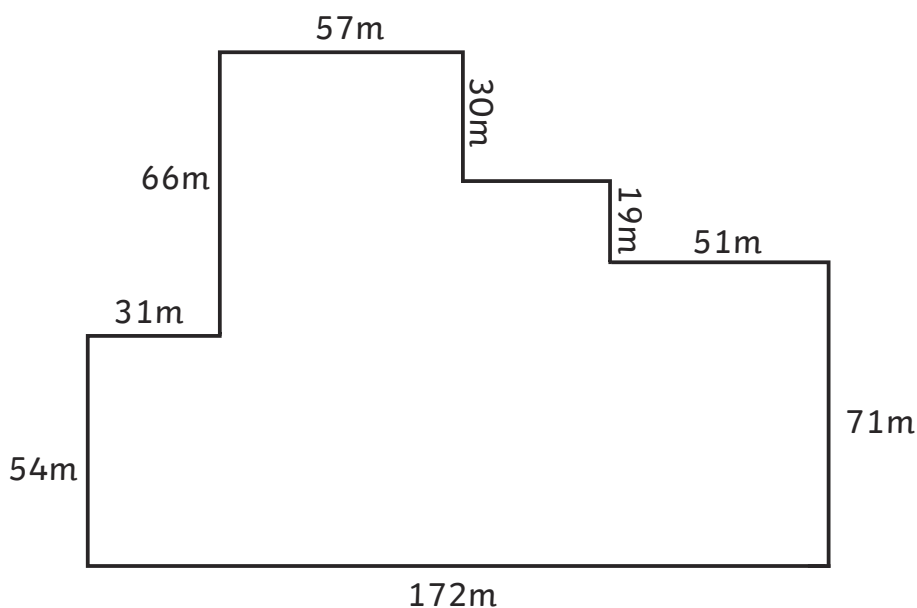


Perimeter Word Problems

1. The school caretaker needs to price up some new guttering for the whole way round the school building. Work out the total perimeter of the school building from this plan so that she will know how much guttering to buy.

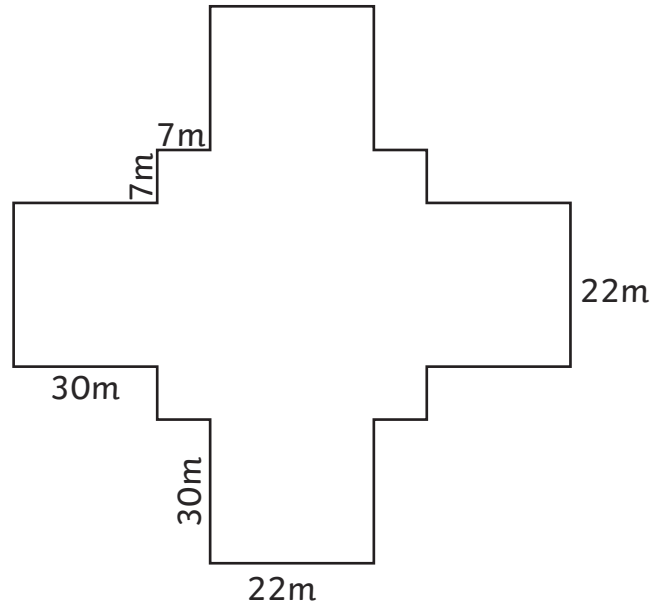


2. Andy is planning a campsite for a music festival. He has a few fields for the campsite, but needs to put fencing around the perimeter of the whole site. Work out how many metres of fencing he will need.

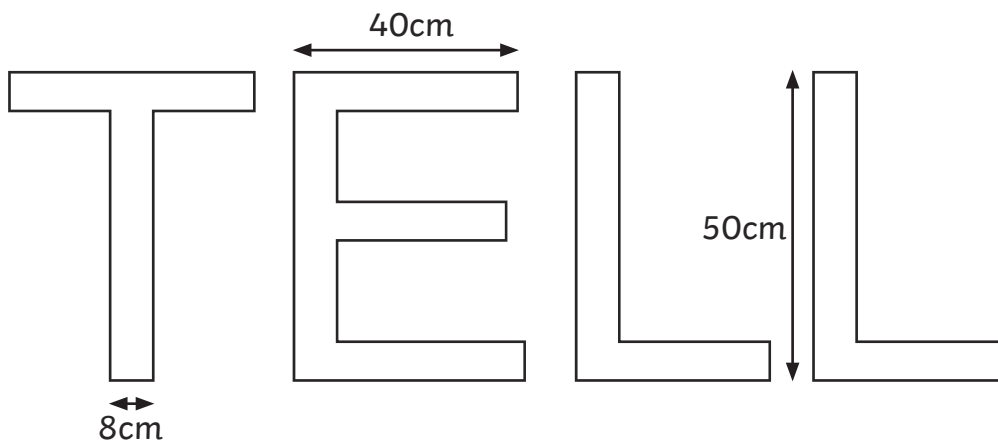


Perimeter Word Problems

3. Emma wants to run 2km. She is going to run five times around the perimeter of her local park. What is the total distance she will run and will she have reached her 2km target?
(The park has a vertical and horizontal line of symmetry.)
-

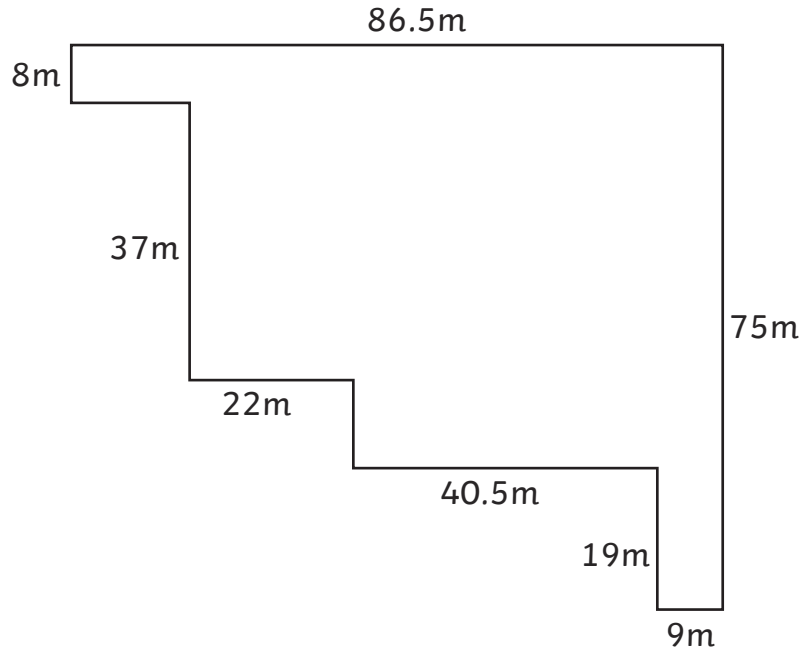


4. Miss Taylor is creating a bullying display with the word TELL in the middle. Work out the perimeter of the whole word so that she can work out how much luminous tape to use round the edge of the letters to make them stand out. (All the letters are the same height and width.)
-



Perimeter Word Problems

5. Joe is a fork lift truck driver. Every day, he has to go three times around the perimeter of the warehouse where he works. How far does he travel in one day?



6. A Year 5 teacher wants to decorate their classroom for Diwali by putting up strings of fairy lights around the classroom. Work out the perimeter of the classroom and how many strings of 6m fairy lights she will need.

